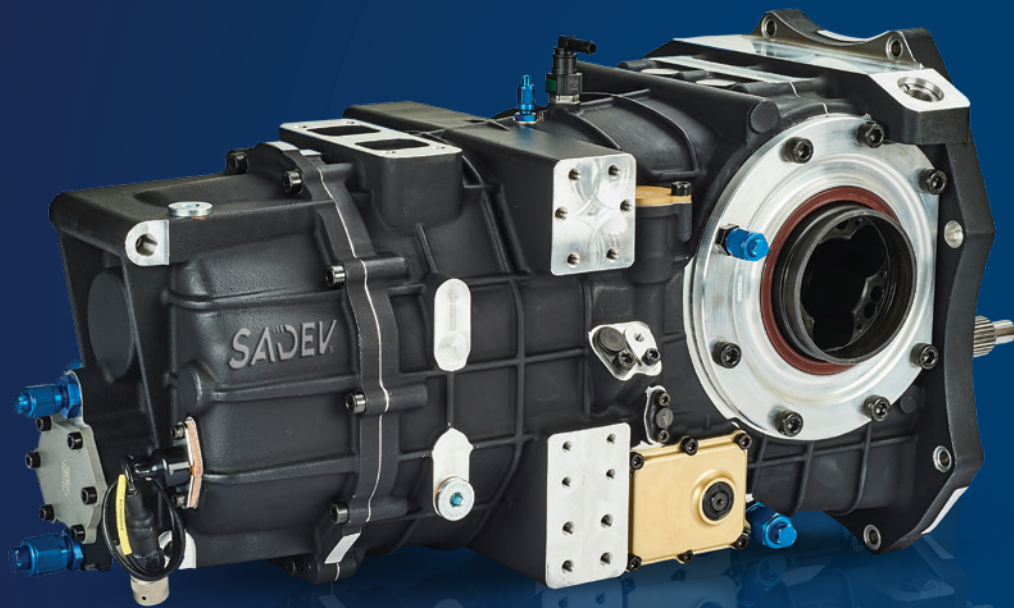


RANGE
2WD
2 WHEEL DRIVE



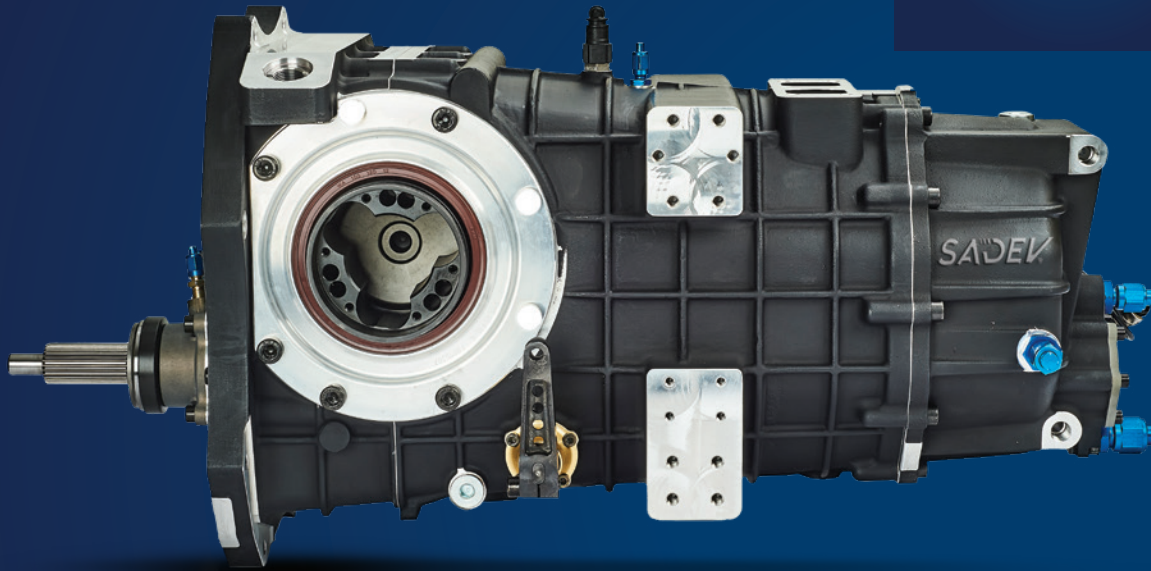
 **SL90-20**
TRANSAXLE

SADEV
RACING TRANSMISSION

SADEV
RACING TRANSMISSION

RANGE
2WD
2 WHEEL DRIVE

SL90-20
TRANSAXLE



Flexibility is the best word to describe the **SL90-20** transmission. Its variety of adaptable parts enables us to build a gearbox tailored to your needs. As well as accepting heavy loads, it comes in several versions: with or without load-bearing casing, 5 or 6 speeds, self-locking differential cartridge etc.

APPLICATIONS

- › Autocross
- › Circuit
- › Rallycross
- › Rally
- › Offroad Rally



TECHNICAL SPECS

6 speed sequential gearbox + 1 reverse gear

Bevel gear ratio : 9x35 or 10x31

The bevel gear is cut and grinded in house on our CNC units

Wide range of ratios available

Straight cut gears

Dog ring gear engagement

Interchangeable gear ratios

High strength carburizing steel

Gear teeth grinded with optimized profile

Shot penning on internal parts

Specific input shaft

Limited slip differential

Ramp and plate system - 3 discs type

Preload made by spring washer

Wide range of ramp plates available

Reverse lockout cable

Oil pump integrated (optional)

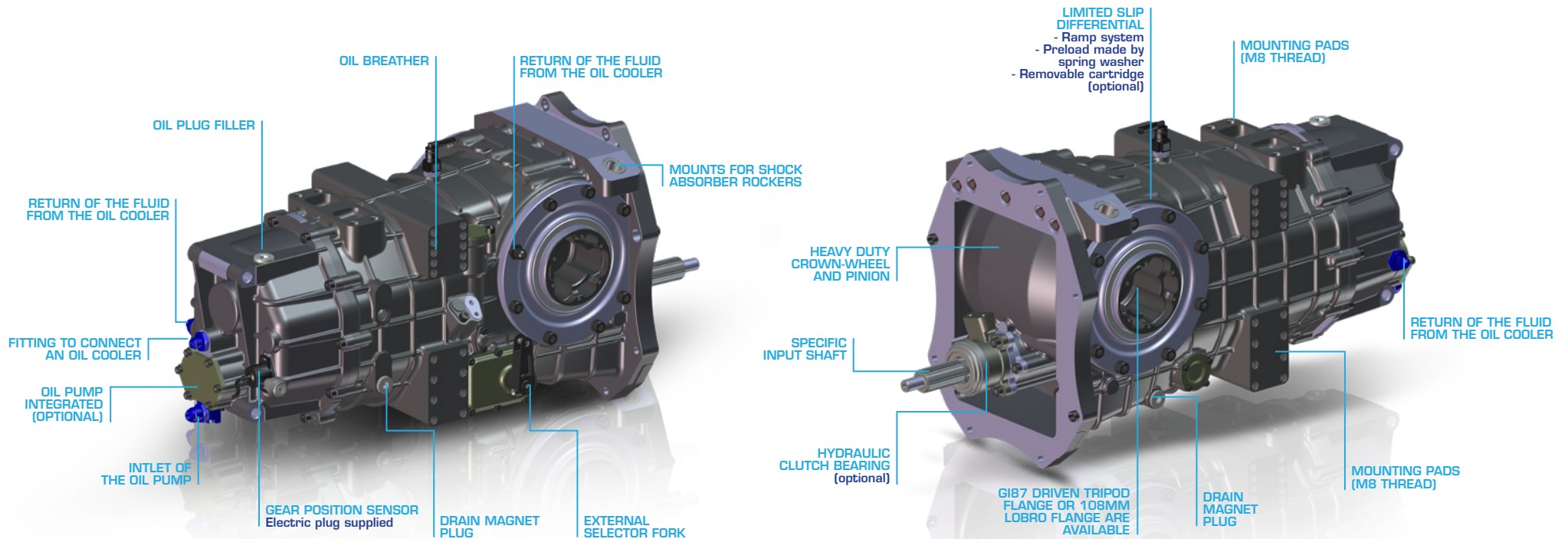
Internal lubrication ramp (optional)

Painted AS7G aluminum casings

Assembled with spacers and studs

Case joint faces sealed with O'rings

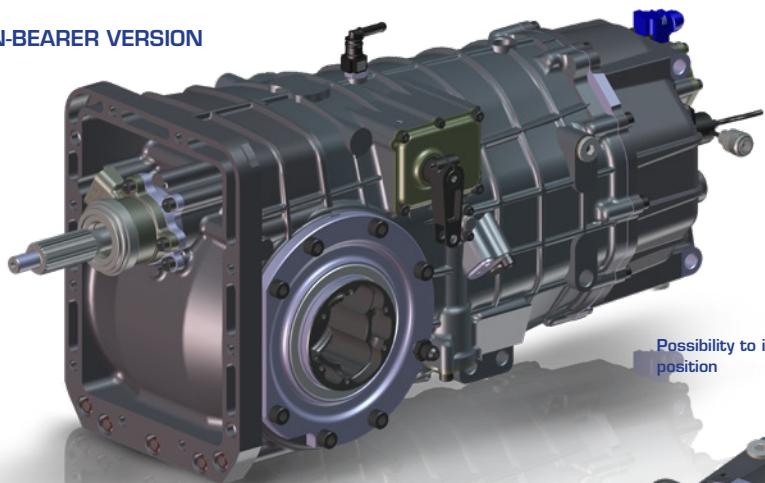
Weight (input shaft included) : 60 Kg - 132 lbs



ACCESSORIES

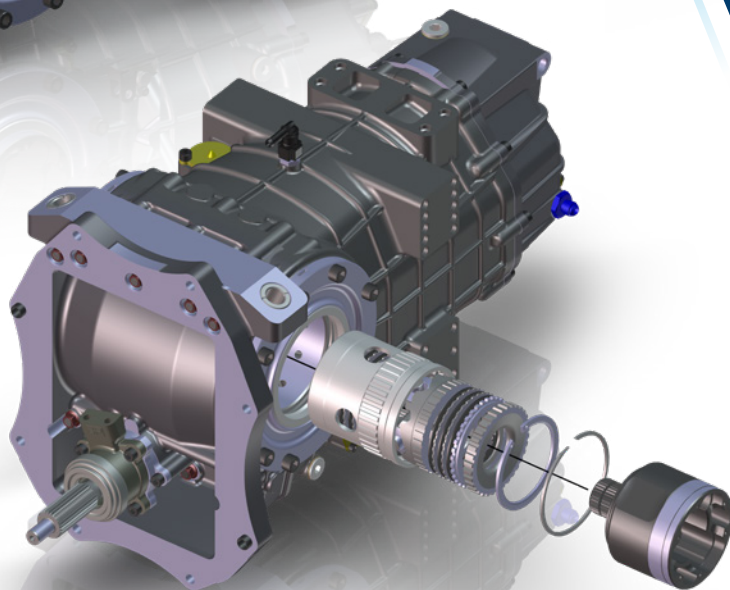
- › *Mounting plate*
- › *Gear display*
- › *Drive shafts*

NON-BEARER VERSION



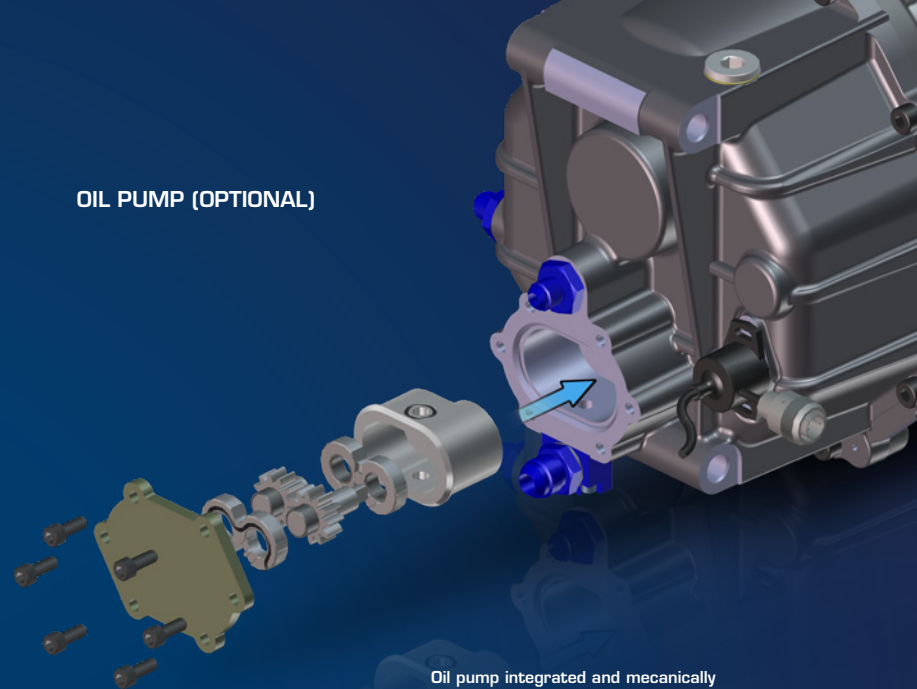
Possibility to invert the input shaft position

LIMITED SLIP DIFFERENTIAL



Differential cartridge and driven tripod flanges available (optional)

OIL PUMP (OPTIONAL)



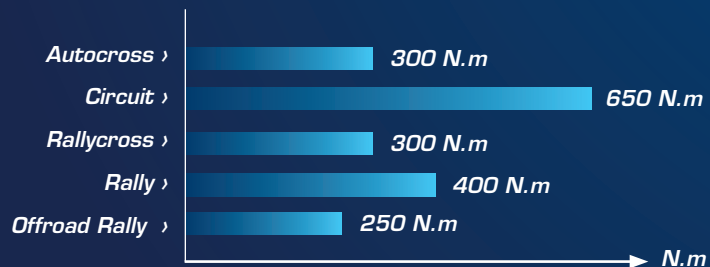
Oil pump integrated and mechanically driven.



SL90-20 TRANSAXLE

- › **Gears:** The **SL90-20** benefits from optimised gear tooth profiles for maximum efficiency.
- › **Ratio selection:** Optimised clutch and control shaft definition for smoother gear shifting.
- › **Limited slip self-locking ramp differential:** Wide choice of ramps and preload washers for precise, detailed adjustment.
- › **Cooling:** An oil pump and a directed lubrication ramp can be connected to the **SL90-20**. Driven mechanically, this enables an external oil cooler to be connected.
- › **Robustness:** Our finite element calculation tool enables us to design extremely strong, compact, lightweight casings.
- › **Adaptability:** With its many possible configurations, the **SL90-20** is a highly developed product that adapts perfectly to your vehicle and your application.

MAXIMUM ENGINE TORQUE





**ONE PASSION:
VICTORY**

SADEV has an exceptional record in supplying unique engineering to the most prestigious drivers and manufacturers. SADEV's products stand out for their technology, their excellence and their ambition. As precise as they are reliable, these high-tech masterpieces are the key to your victory. SADEV has just one goal: to make sure you win.

FOLLOW US



WWW.SADEV-TM.COM

6, rue Grand'Montains - 85110 SAINT-PROUANT - FRANCE

Tel: +33 (0)2 51 66 42 68

sadev@sadev-tm.com



A TEAM AT YOUR SIDE

- FRANCE** SADEV FRANCE - sadev@sadev-tm.com
- USA** SADEV TRANSMISSIONS, INC. - info.usa@sadev-tm.com
- UK** SWR MOTORSPORT LTD - servicesswrmotorsport@gmail.com
- ITALY** GIEFFE RACING - info@giefferacing.com
- SPAIN** DE LA PUENTE MOTORSPORT - dlpmotorsport@movistar.es
- NETHERLANDS** RACING DEVELOPMENT - info@racingdevelopment.nl
- NETHERLANDS** PETERS AUTOSPORT - bart@petersautosport.nl
- BELGIUM** R TEC - info@rtec.ws
- CZECH REPUBLIC** SADAC - info@sadac.cz
- GERMANY** MTO ENGINEERING - info@mtoengineering.com
- SWEDEN** HANSEN MOTORSPORT - kenneth@hansen-motorsport.se
- DENMARK** GUNNAR AASKOV MOTORSPORT - mail@aaaskov-motorsport.dk
- FINLAND** SET PROMOTION - kalle.pinomaki@setpromotion.com
- SWITZERLAND** CHRISTIAN FERRARI - ferrach@bluewin.ch
- SOUTH AFRICA** CENTURY RACING - julien@centuryracing.co.za
- ARGENTINA** JPO RACING - racingjpo@gmail.com
- BRAZIL** CD MOTORSPORT ENGINEERING - sadev.brasil@gmail.com

